



The SDT-20T suction units are equipped with built-in hydraulic tipping system and are towed/connected to i.e. a tractor

## SDT-20T Diesel

*The SDT-20T suction units meet the high demands from the industry due to its efficiency, reliability, ease of operation and maintenance giving excellent value for money.*

Tella SDT-20T Units are complete self-supported vacuum loaders that are fitted onto trailer chassis. Dry material and even liquids can be handled by the units. Together with a fixed pipe network they can operate as a perfect central vacuum unit for industrial installations but it can also operate as a single vacuum loader with an up to 6" hose.

- Rigid design for industrial use
- Roots-type high vacuum pump (50-80%)
- Filter system for dry and wet material
- Automatic filter cleaning without compressed air
- Donkey engine
- Engine power 55 to 90 kW.
- Large dustbins with tailgate for easy discharge

### WHY SDT-20T

Most heavy industry sites have production, raw material handling, packing etc. scattered in more buildings/ areas in-site with some distance between the premises which is why an ordinary stationary central vacuum cleaning system is unable to serve everything. This is why the SET-20T is a suitable choice. The high suction capacity together with the large collecting hopper all placed onto a trailer for towing by a tractor or similar makes the whole unit easy to transport as it is operational as soon a hose/pipe is connected. Also the handling of the dust is easily carried out as there is a built-in tipping cylinder for the discharge.

The rigid trailer can carry high load and together with high suction capacity using Roots pump makes the unit especially suited for heavy industrial environments.

### OPERATION

The vacuumed material is first separated in a specially designed fall chamber with a wear proof pre-separator

inlet. In this section the heavier particles fall to the bottom of the container. From this section the air will be lead to the main filter section where any remaining fine dust will be separated. From the filter section the air passes a safety filter before entering the vacuum pump and a silencer before exhaust.

Due to the well insulated motor compartment housing the noise level of the unit is extremely low.

An unloading valve is placed between the main filter system and the vacuum pump. The vacuum will immediately be equalised when the valve is opened and at the same time the main filters will be cleaned. This will also prevent counter-rotation of the engine as well as less power consumption at starting. It will also be activated by safety control functions.

All functions are controlled at the dust-tight control panel and control LEDS will indicate the units operational status.

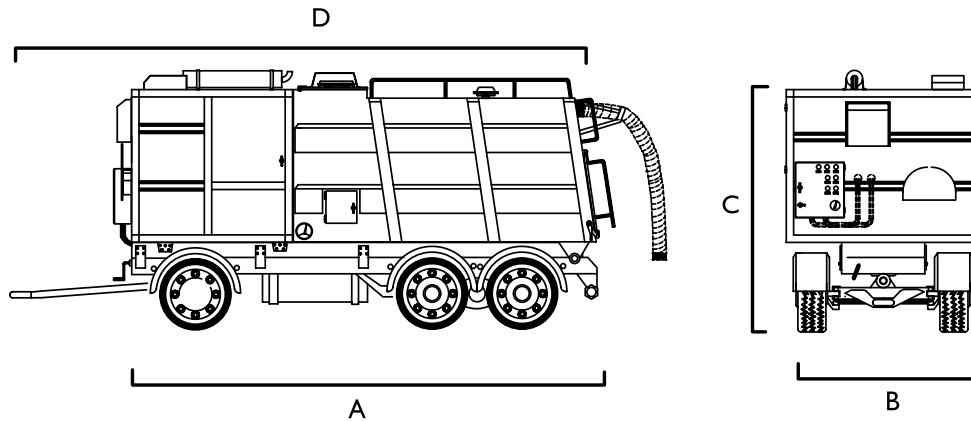
### APPLICATIONS

For use in any industrial application where collection of dust is required i.e. to clean out; deep pits, trenches, bucket elevators, conveyor spills, overhead cranes and runways, dust collectors, processing machines etc.

The unit is specially suitable where bulky or sticky material shall be collected due to it's convenient discharging.

### TYPICAL USERS

Manufacturers of Cement, Lime, Gypsum, Tiles, Ceramics, Chemicals, Plastics, Fertilizers and Alumina. Foundries, Steel mills, Quarries, Mines, Pulp- and Paper Industry, Incineration Plants, Thermo-electric Power Plants, Painting Contractors/Shipyards, Cleaning Contractors...



## VACUUM PUMP

The vacuum producer is of Roots pump type, driven via V-belt transmission by a water-cooled diesel engine. Pump and engine are mounted on same steel structure, which also acts as the exhaust air silencer.

The vacuum pump is equipped with a spring-loaded safety valve, regulating the vacuum not to exceed its maximum operating range. For extra protection of the vacuum pump, a high temperature sensor and a safety filter are installed.

For service, the unit is fitted with large access doors on both sides.

## FILTER SYSTEM

The main filter compartment contains a cassette filter with flat filter bags, made of specially treated polyester needle felt. Service of filters is easy from the clean gas side and from outside of the unit.

The filter system is equipped with a vacuum controlled ATM (air-repulse) filter cleaning system. When activated, a large air inlet will ensure a fast backwards air direction through the filters, thus in an efficient way knocking off collected dust from the filter surface.

## DUST BIN

Type: Square container, tailgate door with manual locking

Volume: 10 m<sup>3</sup> dust/material capacity

## CONTROLS - SAFETY FUNCTIONS

All functions are automatically controlled from the control panel, and accessible from outside the unit.

### Engine Automatic Shut-down:

- Oil pressure too low
- Engine temperature too high

### Automatic Vacuum Relief Valves Opens:

- Exhaust air temperature from vacuum pump too high
- At alarm from bin-level control (opt)
- At alarm from DP-switch filters (opt)

## MISCELLANEOUS

Electrical System: 24 V DC

Diesel Tank Volume: 180 l

Trailer: 19 tonnes capacity

Tipping Cylinder: Hydraulically 19 t. capacity

Material: Steel SIS 1312

Painting: System M2, RAL 5007 blue.

## OPTIONS

- Remote wireless start/stop
- Bin level and Dp-alarm
- Electrically controlled hydraulic unit for hydraulic independency
- 800 mbar execution
- Customer painting specification
- Air brake system for speed > 30 km/h
- Delivery on sub-frame for assembly onto i.e. chassis.
- 120 kW diesel power

Item \ Model		SDT -20T/55	SDT -20T/75	SDT -20T/90
Dimensions, mm	A	7940	7940	7940
(all dim. excl. frame)	B	2365	2365	2365
	C	3190	3190	3190
	D	5740	5740	5740
Weight, kg (approx)		6500	6600	7000
Max. Vacuum, mbar		500	500	500
Air Volume, m <sup>3</sup> /h (at 100 mbar)		3450	4600	5400
Power Consumption, kW		55	75	90
Engine Emission EU/EG 9768		Yes	Yes	Yes
Main Filter surface, m <sup>2</sup>		20	20	20
Safety Filter Surface m <sup>2</sup>		30	30	30
Noise Level, dB(A) (at 5 m distance)		87	87	87

We reserve the right to alter any specifications without prior notice

Manufacturer:

**DISAB-TELLA AB**  
Cederdalsvägen 1  
SE-186 40 Vallentuna  
SWEDEN

Tel: +46 (0)8 514 505 70  
Fax: +46 (0)8 511 754 66  
Email: info@tella.se  
Web: www.tella.se

Distributor: